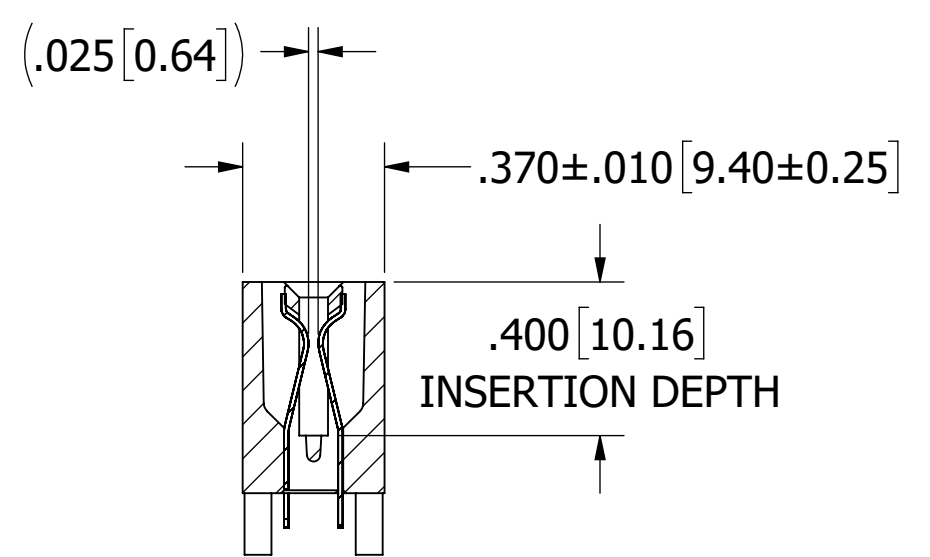
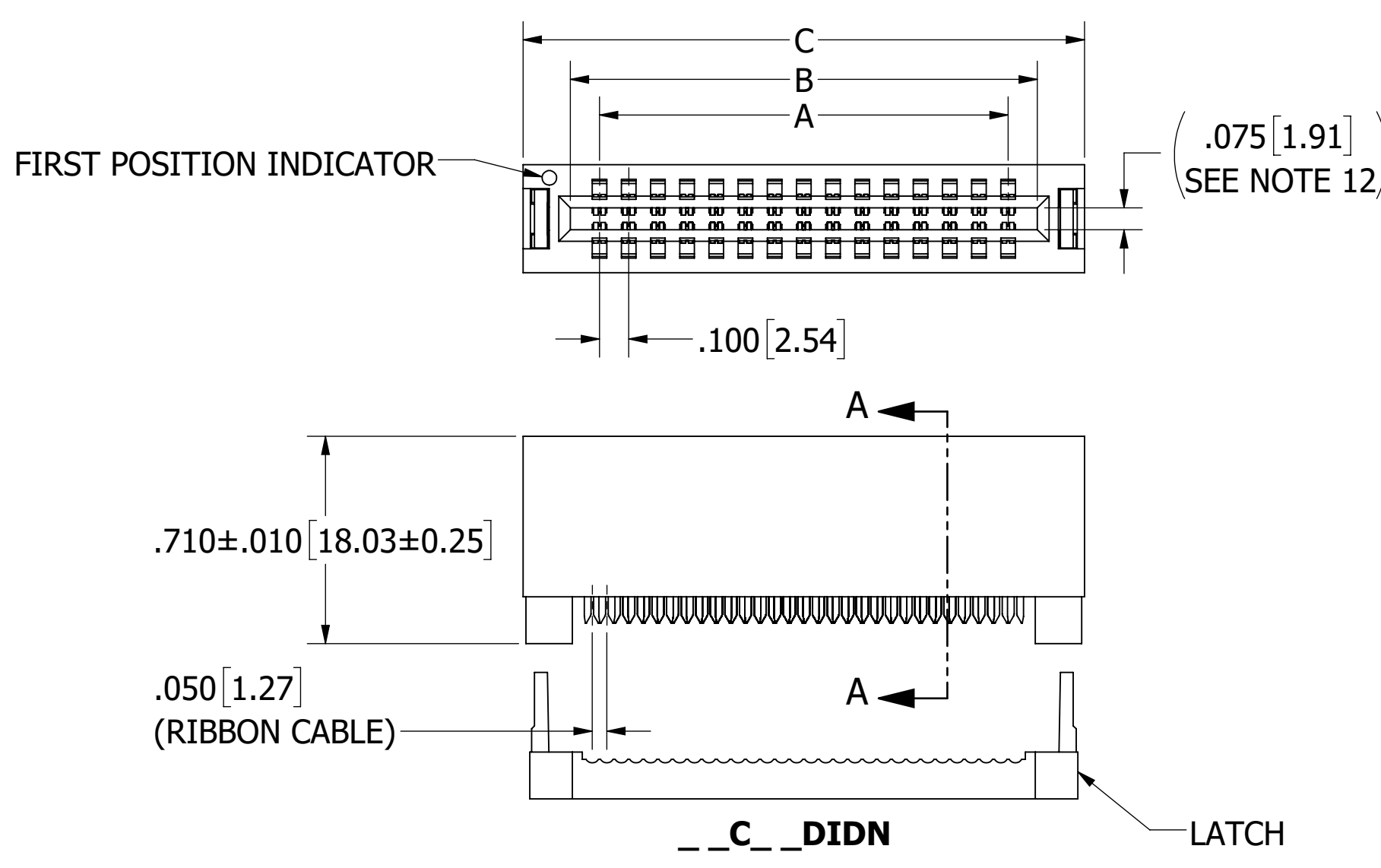
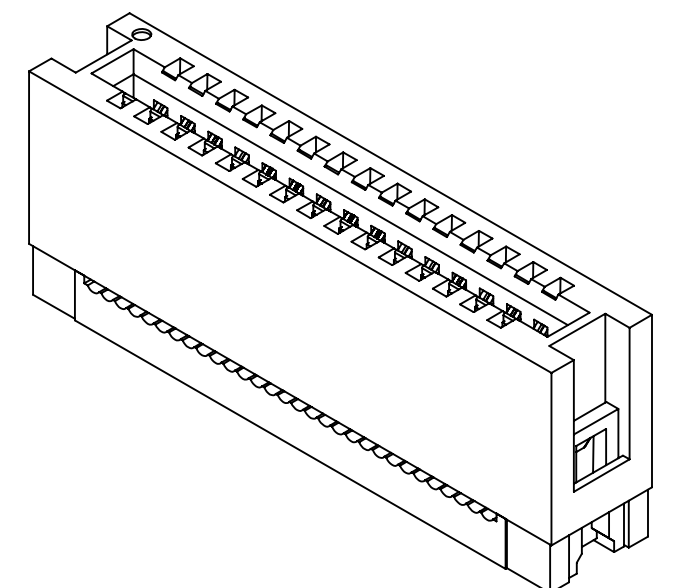


NO. OF POS.	NO. OF CONTACTS	A±.008[0.20]		B±.008[0.20]		C±.015[0.38]		D±.020[0.51]		E±.020[0.51]	
		IN	MM	IN	MM	IN	MM	IN	MM	IN	MM
5	10	0.400	10.16	0.600	15.24	0.924	23.47	1.400	35.56	1.724	43.79
8	16	0.700	17.78	0.900	22.86	1.224	31.09	1.700	43.18	2.024	51.41
10	20	0.900	22.86	1.100	27.94	1.424	36.17	1.900	48.26	2.224	56.49
13	26	1.200	30.48	1.400	35.56	1.724	43.79	2.200	55.88	2.524	64.11
15	30	1.400	35.56	1.600	40.64	1.924	48.87	2.400	60.96	2.724	69.19
17	34	1.600	40.64	1.800	45.72	2.124	53.95	2.600	66.04	2.924	74.27
20	40	1.900	48.26	2.100	53.34	2.424	61.57	2.900	73.66	3.224	81.89
24	48	2.300	58.42	2.500	63.50	2.824	71.73	3.300	83.82	3.624	92.05
25	50	2.400	60.96	2.600	66.04	2.924	74.27	3.400	86.36	3.724	94.59
26	52	2.500	63.50	2.700	68.58	3.024	76.81	3.500	88.90	3.824	97.13
30	60	2.900	73.66	3.100	78.74	3.424	86.97	3.900	99.06	4.224	107.29
32	64	3.100	78.74	3.300	83.82	3.624	92.05	4.100	104.14	4.424	112.37
34	68	3.300	83.82	3.500	88.90	3.824	97.13	4.300	109.22	4.624	117.45
40	80	3.900	99.06	4.100	104.14	4.424	112.37	4.900	124.46	5.224	132.69

REVISIONS				
REV.	ECO. NO	DESCRIPTION	DATE	BY
A	4142	INITIAL RELEASE	11/15/2019	TT
B	4326	UPDATE NOTE 13 (WAS WI7.3-01), ADD 'H' MATERIAL OPTION	2/22/2021	JH



- NOTES:
- INSULATOR MATERIAL: SEE PART NUMBER CODE
 - CONTACT MATERIAL: SEE PART NUMBER CODE
 - PLATING: .000050" NICKEL UNDERPLATING MINIMUM
CONTACT SURFACE: .000030" GOLD
TERMINATION: .000010" GOLD OVERALL
 - OPERATING TEMPERATURE: SEE PART NUMBER CODE
 - UL FLAMMABILITY RATING: 94V-0
 - OPERATING VOLTAGE: 150 VAC
 - CURRENT RATING: 1 AMP
 - CONTACT RESISTANCE: 30 MILLI OHMS MAX
 - INSULATION RESISTANCE: 5000 MEGA OHMS
 - DURABILITY: 500 CYCLES MINIMUM
 - CONNECTOR IDENTIFICATION: THE PART SHALL BE MARKED WITH A PART NUMBER AND LOT CODE
 - BOARD THICKNESS ACCOMMODATED: .062±.008[1.57±0.20]
 - INSERTION FORCE: 8 OZ MAX PER CONTACT PAIR WHEN USING A .062[1.57] TEST BLADE
INTERNAL INSPECTION TO BE PER SULLINS WORK INSTRUCTION WI-8.6-03
 - WITHDRAWAL FORCE: 1 OZ MIN PER CONTACT PAIR USING .062[1.57] TEST BLADE
 - RIBBON CABLE: .050" PITCH 26 - 28 AWG WIRE
 - MODIFICATION: SEE PART NUMBER CODING

CUSTOMER COPY



UNLESS OTHERWISE SPECIFIED: DIMENSIONS ARE IN INCHES [MM]		DRAWN	DATE	NAME		
			12/20/2019	TT		
TOLERANCES:					<small>THE INFORMATION HEREIN CONTAINS PROPRIETARY INFORMATION OF SULLINS ELECTRONICS AND IS NOT TO BE REPRODUCED, USED OR DISCLOSED TO OTHERS FOR ANY PURPOSE EXCEPT AS SPECIFICALLY AUTHORIZED IN WRITING BY AN OFFICER OF SULLINS ELECTRONICS.</small>	
ANGULAR: ± 1°					TITLE IDC CARDEDGE .100" PITCH	
DECIMALS .XX=± .02 [.5] .XXX=± .005 [.13] .XXXX=± .0005 [.013]					PART NUMBER C _ _ DID _ (-S2610)	
SCALE: 2:1		SIZE	CAGE CODE	DWG. NO.	C12963	REV B
		C		54453	SHEET 1 OF 2	

PART NUMBER CODING

MC **DID** - S2610

MATERIAL (INSULATOR/CONTACT)

E = BLUE PBT/PHOSPHOR BRONZE*
OPERATING TEMP: -65°C TO +125°C

H = BLUE PBT/BERYLLIUM COPPER
OPERATING TEMP: -65°C TO +125°C

A = BROWN PPS/BERYLLIUM COPPER
OPERATING TEMP: -65°C TO +150°C

F = BROWN PPS/SPINODAL
OPERATING TEMP: -65°C TO +200°C

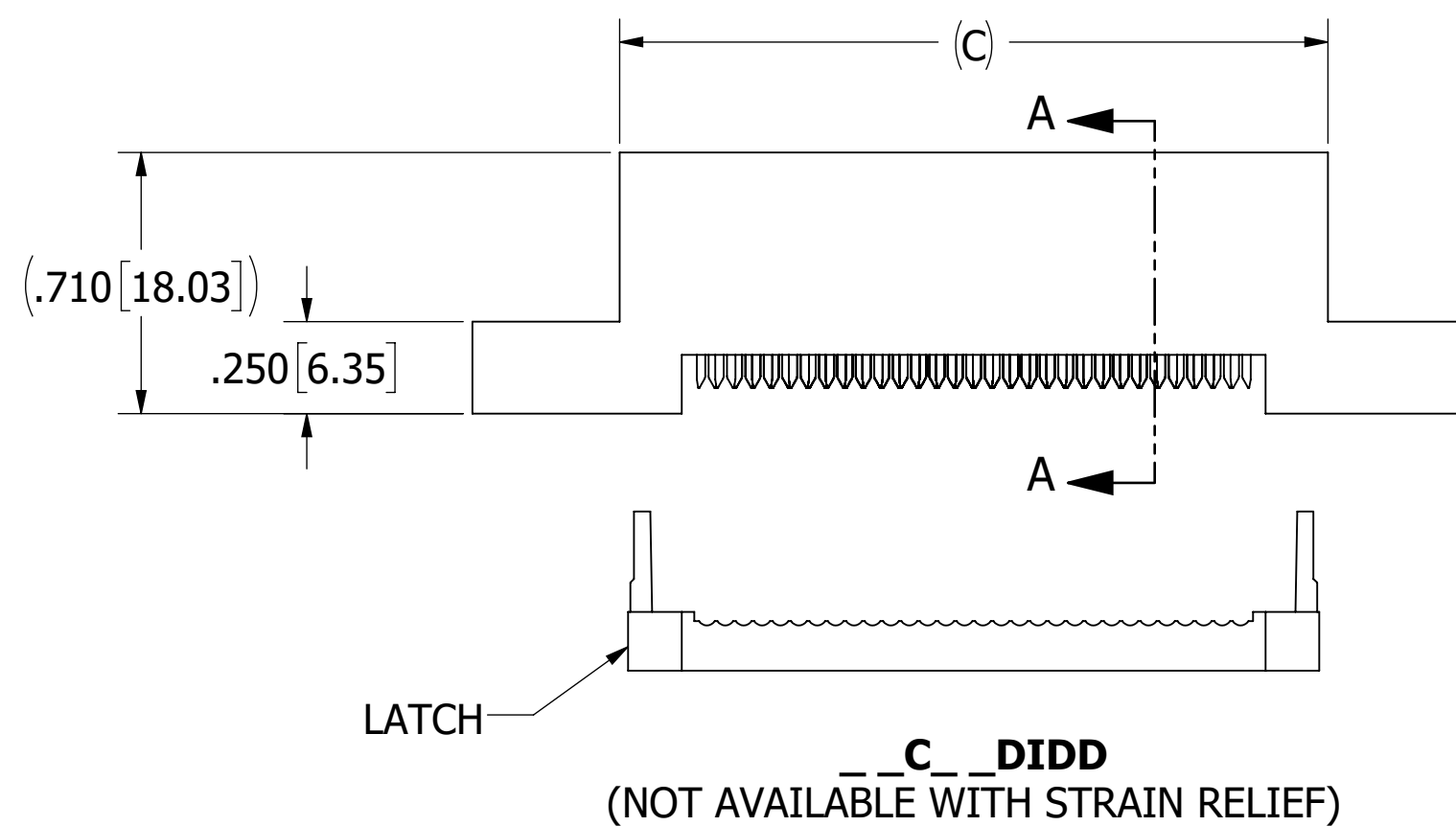
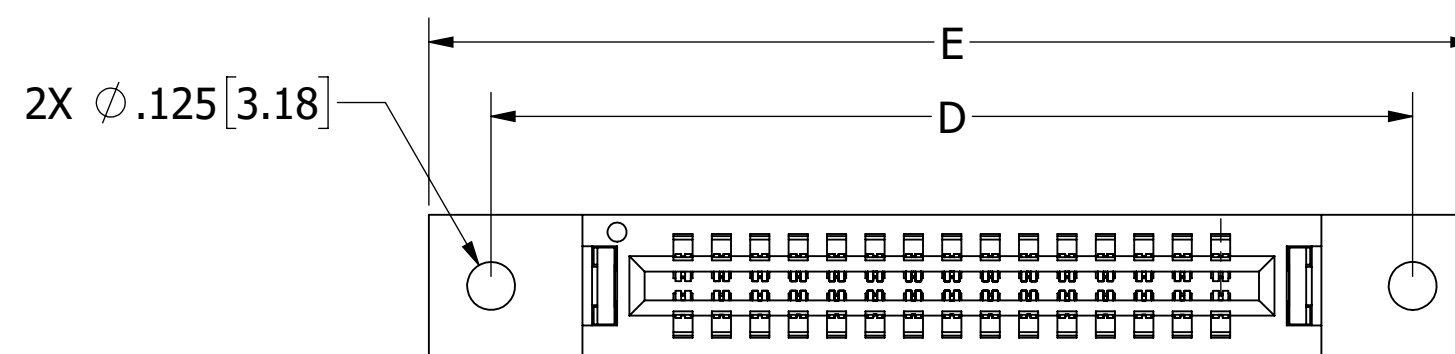
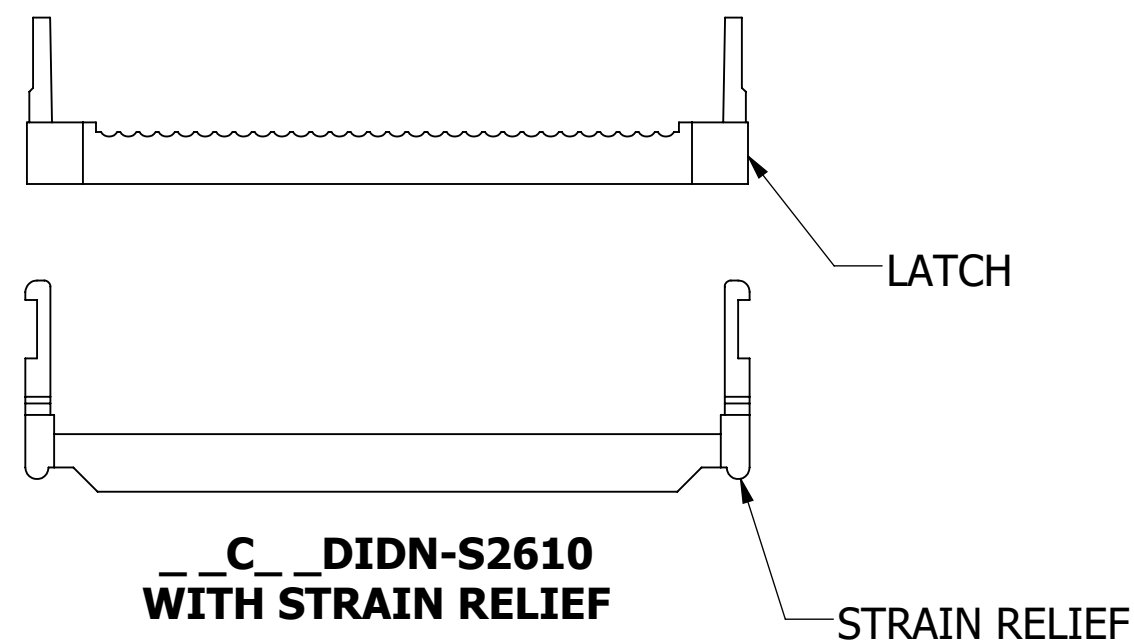
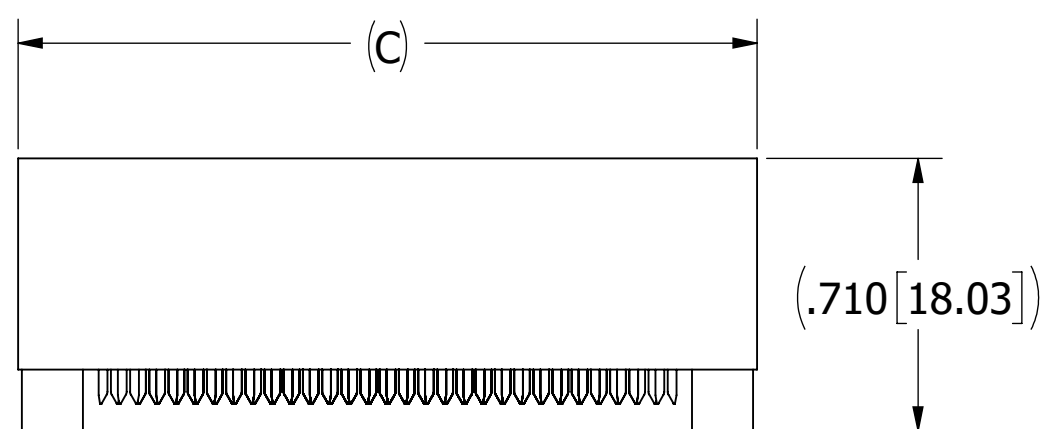
W = TAN PEEK/BERYLLIUM NICKEL
OPERATING TEMP: -65°C TO +250°C

* OR EQUIVALENT

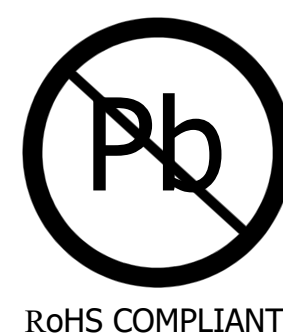
MODIFICATION
OMIT - WITHOUT STRAIN RELIEF
S2610 - WITH STRAIN RELIEF ('N' MOUNTING ONLY)

MOUNTING STYLE
D = .125" DIA. FLUSH MOUNTING
N = NO MOUNTING EARS

**NUMBER OF POSITIONS
(CONTACTS PER ROW)**



CUSTOMER COPY



UNLESS OTHERWISE SPECIFIED:
DIMENSIONS ARE IN INCHES [MM]

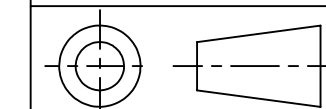
TOLERANCES:

ANGULAR: ± 1°

DECIMALS
.XX = ± .02 [.5]
.XXX = ± .005 [.13]
.XXXX = ± .0005 [.013]

DRAWN DATE NAME
12/20/2019 TT

THE INFORMATION HEREIN CONTAINS
PROPRIETARY INFORMATION OF
SULLINS ELECTRONICS AND IS NOT
TO BE REPRODUCED, USED OR
DISCLOSED TO OTHERS FOR ANY
PURPOSE EXCEPT AS SPECIFICALLY
AUTHORIZED IN WRITING BY AN
OFFICER OF SULLINS ELECTRONICS.



TITLE
IDC CARDEDGE .100" PITCH

PART NUMBER
C_DID_(-S2610)

SIZE CAGE CODE DWG. NO. REV
C 54453 C12963 B

SCALE: 2:1 SHEET 2 OF 2